


GOVERNOR

GENERAL CATALOG

 송암엔지니어링(주)

서울시 영등포구 당산동 3가 290번지 송암빌딩5층 TEL:(02) 2679-3404 FAX:(02) 2679-3406
<http://www.songameng.com> E-mail : email@songameng.com

INDUSTRIAL APPLIANCE GOVERNORS

GOVERNOR TYPE A-N



A50N-2

GOVERNOR

- **Specifications**
 Inlet pressures P_1 : 100 to 5,000 mmH₂O
 Outlet pressures P_2 : 50 to 3,000 mmH₂O
 Pipe size : 1/4", 1/2", 3/4", 1", 1 1/2", 2", 3"
 (DN: 8, 13, 20, 25, 40, 50, 75mm)
- **Model**
 A8N-1 to A50N-1 : General-purpose type
 A20N-2 to A50N-2 : High-performance type
 A40N-11 to A75N-11 : Large-capacity, high-performance type

GOVERNOR TYPE AH



AH40N-11

GOVERNOR

- **Specifications**
 Inlet pressures P_1 : 0.5 to 3 kgf/cm²
 Outlet pressures P_2 : 200 to 2,000 mmH₂O
 Pipe size : 1 1/2", 2", 3"
 (DN: 40, 50, 75mm)
- **Model**
 AH40N-11 to AH75N-11 : High response type

GOVERNOR TYPE C-N



C50N-200-1

GOVERNOR

- **Specifications**
 Inlet pressures P_1 : 0.3 to 5 kgf/cm²
 Outlet pressures P_2 : 100 to 3,000 mmH₂O
 Pipe size : 3/4", 1 1/2", 2", 1"
 (DN: 20, 40, 50mm)
- **Model**
 C20N-1 to C50N-1 Type 1 : General-purpose type

GOVERNOR TYPE CH



CH25N-050-1

GOVERNOR

- **Specifications**
 Inlet pressures P_1 : 0.5 to 3 kgf/cm²
 Outlet pressures P_2 : 100 to 2,000 mmH₂O
 Pipe size : 1"
 (DN: 25mm)
- **Model**
 CH25N-050-1 : High response type

INDUSTRIAL APPLIANCE GOVERNORS

GOVERNOR TYPE A-N-D



A50N-6D

GOVERNOR

MATERIAL: DUCTILE IRON

- **Specifications**
 Inlet pressures P_1 : 100 to 5,000 mmH₂O
 Outlet pressures P_2 : 50 to 3,000 mmH₂O
 Pipe size : 1", 1¼", 1½", 2", 3"
 (DN: 25, 30, 40, 50, 75mm)
- **Model**
 A25N-6D to A50N-6D : High-performance type
 A40N-51D to — A75N-51D : Large-capacity and high-performance type

GOVERNOR TYPE C-N-6D



C25N-6D

GOVERNOR

MATERIAL: DUCTILE IRON

- **Specifications**
 Inlet pressures P_1 : 0.3 to 10.8 kgf/cm²
 Outlet pressures P_2 : 200 to 3,000 mmH₂O
 Pipe size : ¾", 1", 1½", 2"
 (DN: 20, 25, 40, 50mm)
- **Model**
 C20N-6D to C50N-6D : General-purpose type

RELIEF VALVE TYPE A-Z



A50Z-2

RELIEF VALVE

- **Specifications**
 Inlet pressures P_1 : 100 to 3,000 mmH₂O
 Pipe size : ¾", 1", 1¼", 1½", 2", 3"
 (DN: 20, 25, 30, 40, 50, 75mm)
- **Model**
 A20Z-2 to A50Z-2 : General-purpose type
 A40Z-11 to A75Z-11 : High-performance type

RELIEF VALVE TYPE A-R



A25R-1

RELIEF VALVE

- **Specifications**
 Inlet pressures P_1 : 100 to 3,000 mmH₂O
 Pipe size : 1", 2", 3"
 (DN: 25, 50, 75mm)
- **Model**
 A25R-1 to A50R-1 : General-purpose type
 A50R-11 to A75R-11 : High-performance type

INDUSTRIAL SERVICE GOVERNORS

SERVICE GOVERNOR TYPE C-S



C25S-050-1

SERVICE GOVERNOR

- **Specifications**
Inlet pressures P_1 : 0.3 to 3 kgf/cm²
Outlet pressures P_2 : 100 to 300 mmH₂O
Safety valve activating pressure : Shut-off pressure plus 150 mmH₂O
Pipe size : 3/4", 1", 1 1/2", 2"
(DN: 20, 25, 40, 50mm)
- **Model**
C20S-1 to C50S-1 : General-purpose type

SERVICE GOVERNOR TYPE CD-SV-5D



CD50N-SV-5D

SERVICE GOVERNOR

MATERIAL:
DUCTILE IRON

- **Specifications**
Inlet pressures P_1 : 0.5 to 3 kgf/cm²
Outlet pressures P_2 : 100 to 300 mmH₂O
Pipe size : 2 & 3B (DN: 50 & 75mm)
- **Model**
CD50N-SV-5D, CD75N-SV-5D : High-performance type

PROPORTIONAL VALVE

PROPORTIONAL VALVE TYPE A-P-2



A20P-2

PROPORTIONAL VALVE

- **Specifications**
 Inlet pressures P_1 : 100 to 2,000 mmH₂O
 Outlet pressures P_2 : 0 mmH₂O ($P_L = P_2$)
 Pipe size : 1/2", 3/4", 1", 1 1/2", 2"
 (DN: 13, 20, 25, 40, 50mm)
- **Model**
 A13P-2 to A50P-2

ZERO GOVERNORS

ZERO GOVERNOR TYPE A-Z



A40Z-11

ZERO GOVERNOR

- **Specifications**
 Inlet pressures P_1 : 50 to 2,000 mmH₂O
 Outlet pressures P_2 : 0 mmH₂O
 Pipe size : 1/4", 3/8", 1/2", 3/4", 1", 1 1/4", 1 1/2", 2"
 (DN: 8, 10, 13, 20, 25, 30, 40, 50mm)
- **Model**
 A8Z-1 to A50Z-1 : General-purpose type
 A20Z-2 to A50Z-2 : High-performance type
 A40Z-11 to A75Z-11 : Large-capacity, high-performance type

ZERO GOVERNOR TYPE A-Z-D



A50Z-51D

ZERO GOVERNOR

**MATERIAL:
DUCTILE IRON**

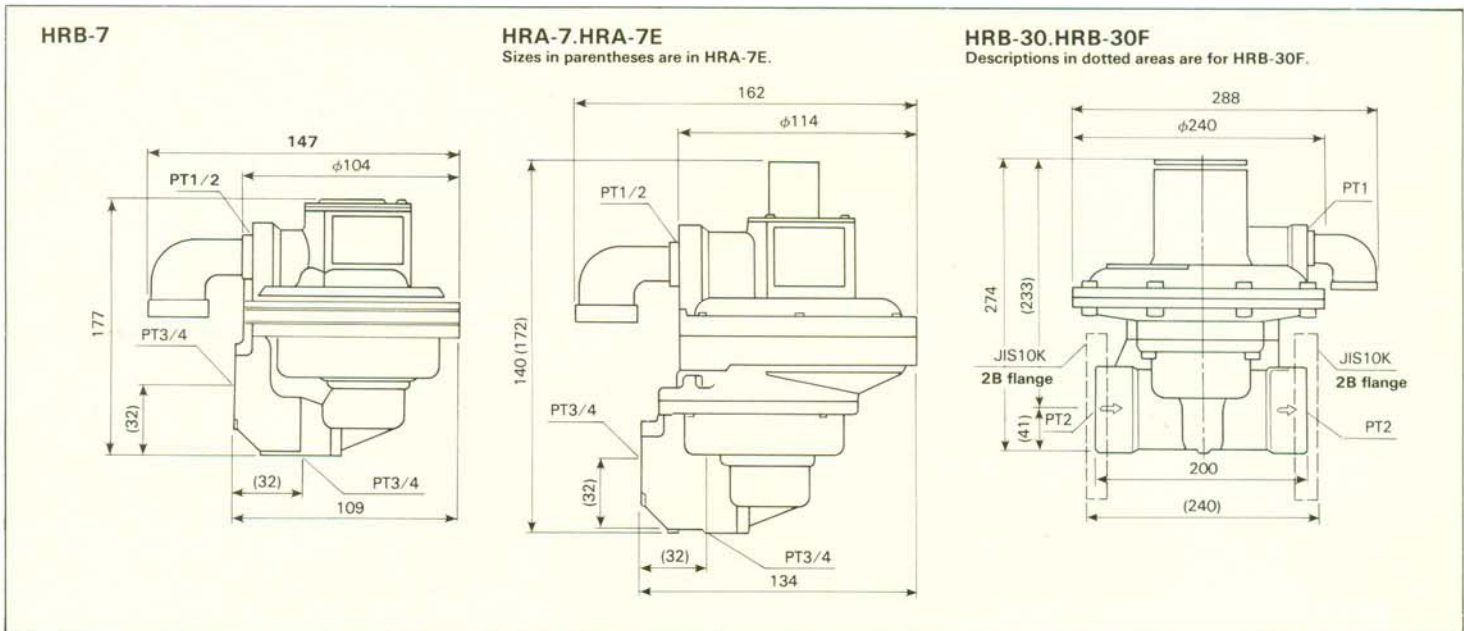
- **Specifications**
 Inlet pressures P_1 : 50 to 2,000 mmH₂O
 Outlet pressures P_2 : 0 mmH₂O
 Pipe size : 1", 1 1/4", 1 1/2", 2", 3"
 (DN: 25, 30, 40, 50, 75mm)
- **Model**
 A25Z-6D to A50Z-6D : High-performance type
 A40Z-51D to A75Z-51D : Large-capacity, high-performance type

Model		HRB-7	HRA-7	HRA-7E	HRB-30
Item					
Maximum air flow	(m ³ /h)	7	7	7	30
Inlet pressure range	(kgf/cm ²)	0.03~0.3	0.1~1.0	0.1~1.0	0.03~0.3
Outlet pressure setting range ^(Note 1)	(mmH ₂ O)	150~250	150~250	150~250	150~250
Connection diameter	(shape)	3/4B threaded pipe (angle)	3/4B threaded pipe (angle)	3/4B threaded pipe (angle)	2B thread pipe, 2B flange ^(Note 2) (horizontal)
Safety valve pressure setting range ^(Note 1)	(mmH ₂ O)	300~750	300~750	300~750	300~750
Functions provided		Built-in strainer and relief valve	Built-in strainer and relief valve	Built-in strainer, relief valve, and O.P.S.O. ^(Note 3)	Built-in strainer and relief valve
Pressure adjustment range:	±25 mmH ₂ O of the set outlet pressure within the rated inlet pressure and air flow ranges				

Note 1: By spring replacement.

Note 2: Type HRB-30F for flange connection.

Note 3: Shut-off valve for abnormal outlet pressure (activating pressure is the relief valve activating pressure plus 150 to 200 mmH₂O).



HOUSE GOVERNORS

HOUSE GOVERNOR TYPE HRB-7



HRB-7

HOUSE GOVERNOR TYPE HRA-7



HRA-7

FILTERS

FILTER TYPE Y & YD



Y40

FILTER

- **Specifications**
 Max Static pressure : 6 kgf/cm² for Type Y
 12 kgf/cm² for Type YD
 Pipe size : 1/2", 3/4", 1", 1 1/4", 1 1/2", 2"
 (DN: 13, 20, 25, 30, 40, 50mm)
- **Model**
 Type Y13 to Y50 : Gray cast iron
 Type Y13-D to Y50-D : Ductile iron

FILTER TYPE F-MK2 & FD-MK2



F50MK2

FILTER

- **Specifications**
 Max Static pressure : 6 kgf/cm² for Type F-MK2
 12 kgf/cm² for Type FD-MK2
 Pipe size : 2", 3", 4", 6"
 (DN: 50, 80, 100, 150mm)
- **Model**
 Type F50-MK2 : Cast aluminum alloy
 Type F75-MK2 to F150-MK2 : Gray cast iron
 Type F75D-MK2 to 150D-MK2 : Ductile iron

Please inform us of the following requirements for ordering or inquiring.

- Governor Model & type and pipe size: _____
- Inlet pressure (P_1): _____ to _____ mmH₂O
- Outlet pressure (P_2)
(when shipped from the plant): _____ mmH₂O
- Capacity required (Q): _____ to _____ Nm³/h
- Kind of Gas and specific gravity: _____
- Governor ambient temperature: _____ °C
- Gas temperature: _____ °C

